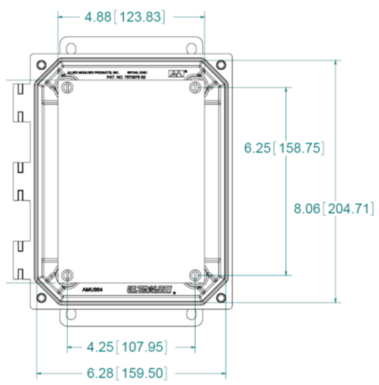


# High Profile Fiberglass Junction Box

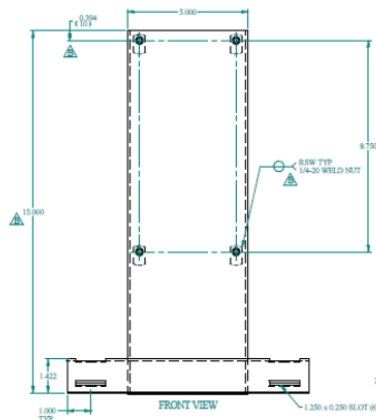
## HP-FG-JB



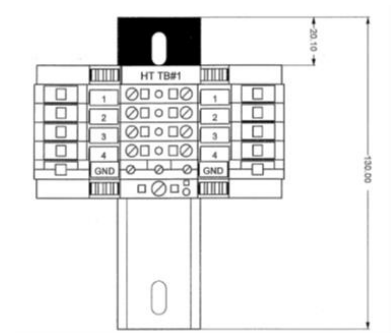
The High Profile Fiberglass Junction Box is designed for use as an electric junction box for terminal wiring. It's ideal for applications with high temperatures or highly corrosive environments.



Enclosure Dimensions



Pipe Mount Bracket



Terminals mounted on DIN rail

### SPECIFICATIONS

Molded fiberglass polyester enclosure with matching cover is easily punched out or drilled.  
 UV inhibitors protect against outdoor weathering.  
 Mounted backplane is complete with terminal blocks mounted on DIN rail suitable for Power and up to 3 heater cables.  
 DIN rail provides sufficient room to expand the quantity of terminal blocks.  
 Operating temperatures between 130°C and -40°C (266°F to -40°F).  
 Door has molded hinge with stainless steel pin.  
 Door clasp includes a provision for padlock.

### APPROVALS

UL 508 Type 1, 2, 3, 4, 4X, 12 and 13  
 CSA Type 1, 2, 3, 4, 4X, 12 and 13