

Installation Instructions

DREX0017 HS-ESK HeatShrink End Seal



APPROVALS*



231572

Class I, Div. 2, Groups A, B, C, D
Class II, Div. 2, Groups F, G
Class III



E471335

**E484945

*This kit is not UL Listed for use with HotTape product.
** General Purpose/Ordinary Location UL File

HEATING CABLE RATINGS

This kit is only for use with the following Drexan HeatTracer Self-Regulating heater products:

PipeGuard® Warm (PGW), MultiTrace® (MT) and HotTape® (HT).

120 – 277 Volt, 3–10 W/ft., maximum 32A.

Maximum continuous exposure temperature 150°F/65°C.

Minimum bend radius: 1.18 in. (30 mm) @ 68°F/20°C.

This kit may be installed in temperatures as low as -40°F/°C.

CAUTION: A ground fault protection device must be used with this heating device.

ATTENTION: Ce produit doit être utilisé avec une protection de mise à la terre.



WARNING: This is an electrical device and in order to ensure proper operation and prevent shock or fire it must be installed correctly. Read these important warnings. Follow all installation instructions.

CAUTION: Ground-fault equipment protection shall be provided to de-energize all normally ungrounded conductors of electrical heating cable sets, with ground fault settings sufficient to allow normal operation of the heater unless applicable codes permit otherwise, and to minimize the danger of fire from sustained electrical arcing if the heating cable is damaged or improperly installed and to comply with Drexan requirements, agency certifications and National Electrical codes. Conventional circuit breakers may not stop arcing. Each heating device branch circuit or each heating device shall have ground fault equipment protection.

The heating cable core is conductive and can short if not properly insulated and kept dry. Component and heating cable ends must be kept dry before and during installation. Fire-resistant thermal insulation materials should be used.

Heating cable core bus wires can overheat and short when damaged. When cutting the cable jacket or core do not break bus wire strands. Bond the metallic braid of the self-regulating heating cable to a suitable grounding (earth) terminal. De-energize before installation or servicing.

Where equipment may be installed in locations where it may be subject to damage, or exposed to excessive external stresses (e.g. vibration, heat, impact) or aggressive substances, it must be protected by additional means. Any repairs or parts replacement must be done by Drexan or appointed agents. Substitution of parts, or utilization in a manner not specified by Drexan may impair equipment protection and void warranty, approvals and performance claims. Do not use substitute parts or the use of electrical tape. Component approvals and performance characteristics are based on Drexan specific parts only.

© Drexan Energy Systems Inc.
Kelowna, BC, Canada, V4V 1S5

KIT CONTENTS

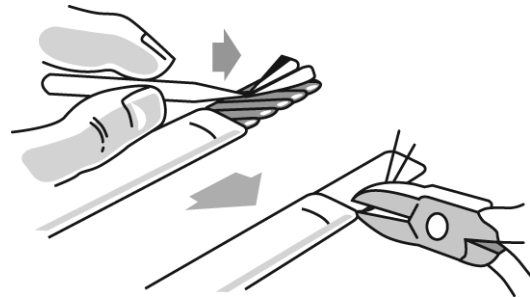
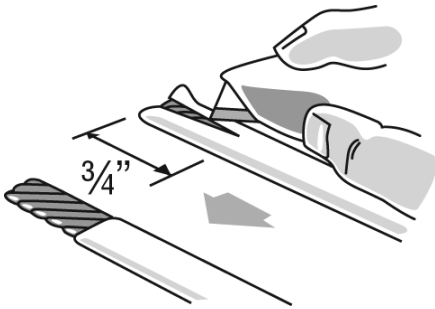
- (5) Heat Shrink Caps
- (5) Heat Shrink Tubes 1" (25 mm)
- (5) Warning Labels
- (5) Installation Instructions

REQUIRED BUT NOT PROVIDED

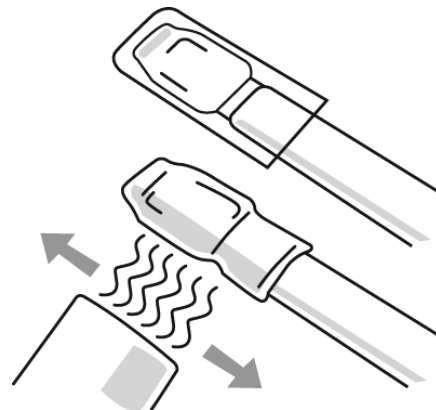
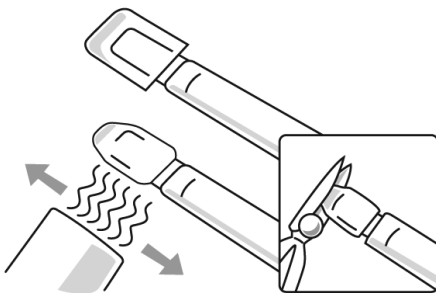
- Utility Knife
- Wire Cutter
- Heat Gun
- Needle Nose Pliers

ASSEMBLY INSTRUCTION DETAILS

1. Strip outer jacket $\frac{3}{4}$ " (19 mm) as shown. Do not cut into inner jacket.
2. Unravel ground braid and trim outer jacket cut-back.



3. Heat-shrink tubing in place with $\frac{3}{8}$ " (10 mm) over end of heating cable. Remove heat and squeeze with needle-nose pliers. **Hold for 15 seconds.**
4. Heat-shrink boot in place over smaller heat shrink tube until inner sealant starts to appear out from the boot edge.



5. Find a suitable location and affix the Electrical Warning Label. The presence of the trace heaters shall be made evident by the posting of caution signs or markings at appropriate locations and/or at frequent intervals along the circuit.