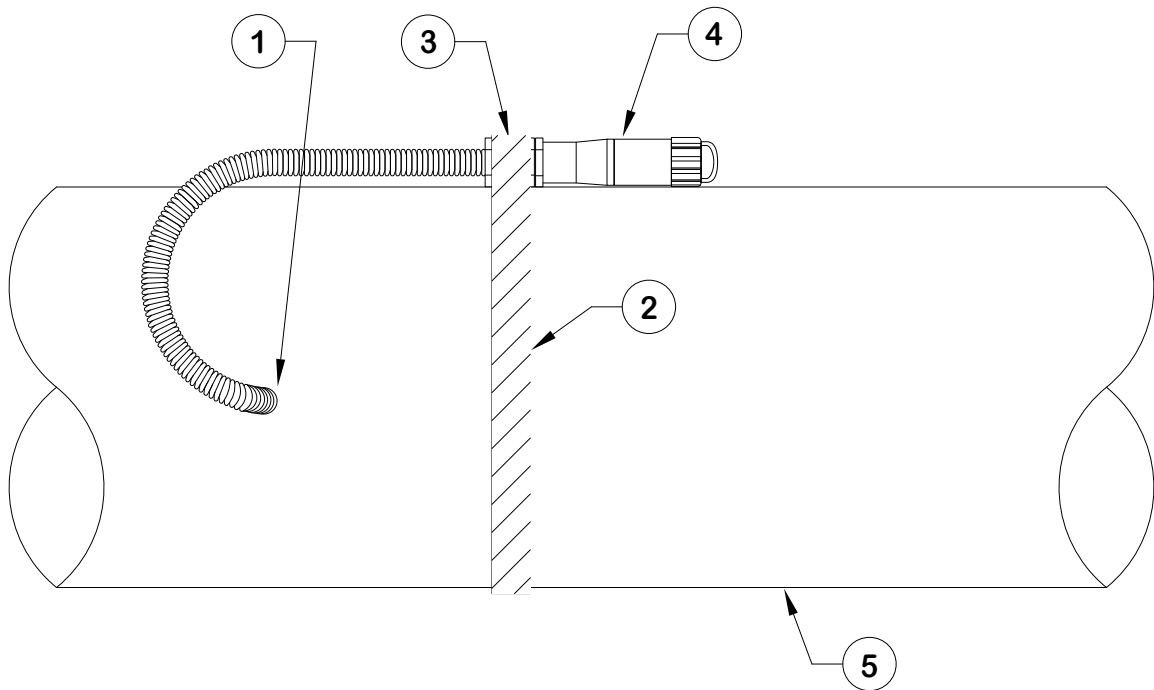


ITEM	DESCRIPTION	QUANTITY
1	PipeGuard CMH HEATER CABLE EXITS INSULATION	1
2	PIPE STRAP	AS REQ'D
3	STRAIN RELIEF. PART NO. CMH-CON (DREX0074)	1
4	QUICK CONNECT SYSTEM	1
5	OUTER PIPE INSULATOR	1



NOTES

1. PIPEGUARD CMH HEATER CABLE TERMINATION METHOD USING A QUICK CONNECT SYSTEM.
2. A LOOP IN THE CABLE IS TO ELIMINATE STRESS PLACED ON THE CABLE/CONNECTOR.
3. QUICK CONNECTORS MAY BE SUPPLIED BY DREXAN OR BY OTHERS.
4. WHERE MULTIPLE RUNS OR LOOPS OF A CONSTANT WATTAGE HEATER CABLE (SERIES MI AND PIPEGUARD CMH) ARE APPLIED TO PIPE SHOES AND SUPPORTS, CARE MUST BE TAKEN TO ENSURE THAT EXCESSIVE HEAT IS NOT GENERATED. DEPENDING IN PART UPON THE PIPE DIAMETER, IT MAY NOT BE NECESSARY TO INSTALL MULTIPLE RUNS OF CABLE AT A PIPE SHOE. CABLE WATTAGE OUTPUT MUST BE CONSIDERED.

PLEASE REFER TO NOTE #1 ON INSTALLATION DRAWING 22.

1	04/16/14	STRAIN RELIEF PART REFERENCE CHANGED		DRAWN	EBC	INSTALL - CMH QUICK TERMINATION		
2	05/15/15	LOGO CHANGED		DATE	2012/03/05			
2	05/15/15	NOTE #4 ADDED		CHECKED				
2	05/15/15	ITEM #3 DESCRIPTION CHANGED		DATE				
				ENGINEER				
			DATE		APPROVED	SCALE	DRAWING NO	REV
REV	DATE	REVISION			DATE	NTS	DWG019	2