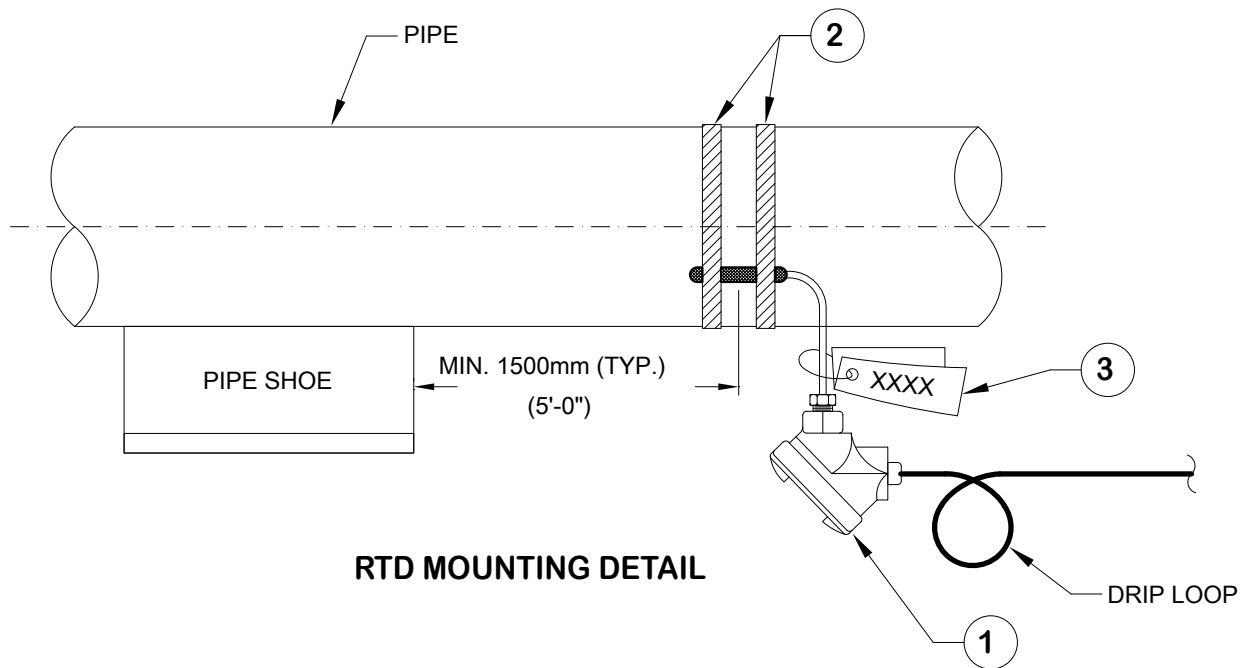


ITEM	DESCRIPTION	QUANTITY
1	100 OHM PLATINUM PIPE-MOUNTED RTD. DREXAN PART NUMBER RTD-PM	1
2	STAINLESS STEEL BANDING (PROVIDED WITH RTD KIT)	AS REQ'D
3	STAINLESS STEEL TAGS	AS REQ'D



**NOTES**

1. MOUNT RTD ON THE BOTTOM HALF OF THE PIPE.
2. RTD SHALL NOT BE MOUNTED IN CLOSE PROXIMITY TO HEAT TRACING CABLE.
3. SHOE OF RTD SENSOR MUST BE IN FIRM CONTACT WITH PIPE WALL.
4. LOCATE RTD AT COORDINATES SHOWN ON THE HEAT TRACE ZONE DRAWING.
5. TRIM BACK AND ISOLATE SHIELD OF RTD CABLE IN CONNECTION BOX.

1	05/15/15	LOGO CHANGED	DRAWN	EBC	TITLE		
			DATE	2011/03/19	<b>INSTALL - RTD ON PIPE</b>		
			CHECKED	-			
			DATE	-			
			ENGINEER	-			
			DATE	-			
REV	DATE	REVISION	APPROVED	-	SCALE	DRAWING NO	REV
			DATE	-	NTS	<b>DWG012</b>	<b>1</b>

