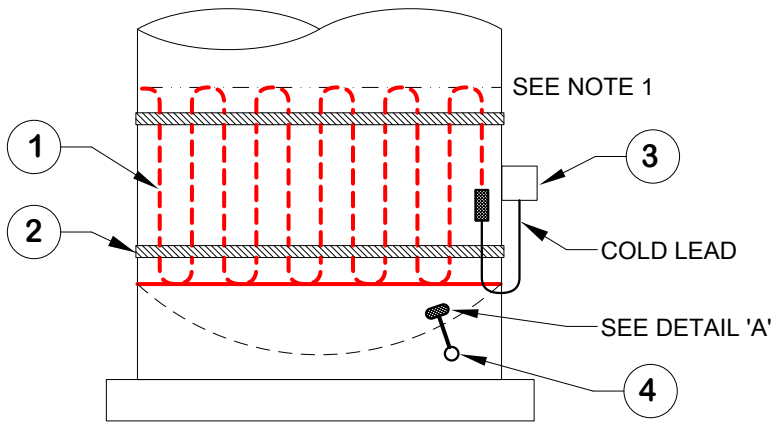
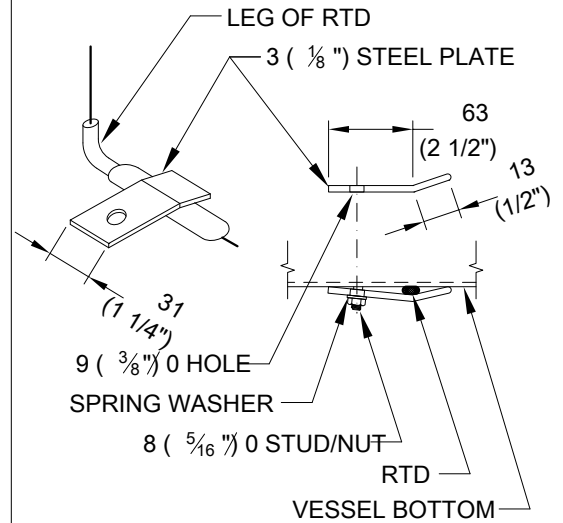


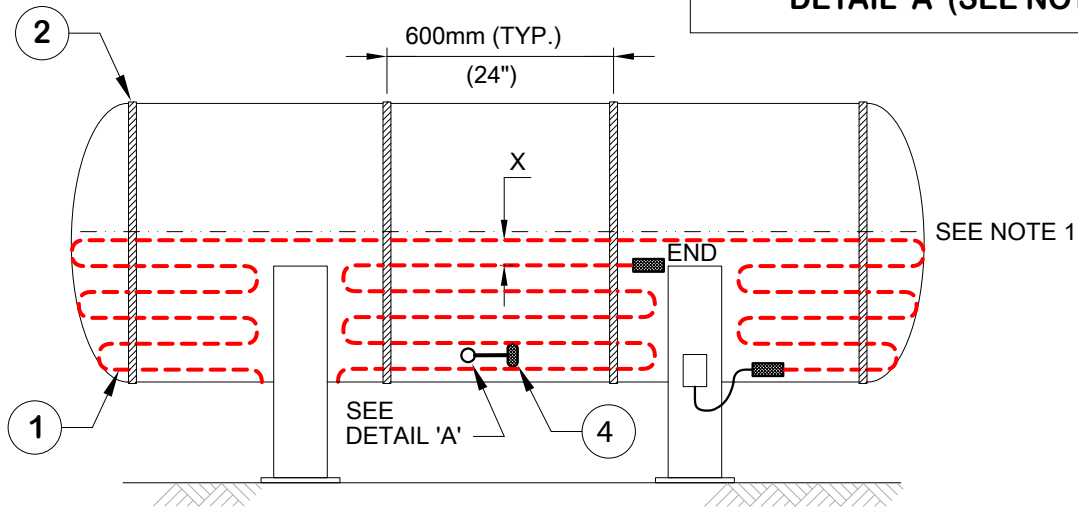
ITEM	DESCRIPTION	QUANTITY
1	EHT CABLE AS PER ZONE DRAWING	AS REQ'D
2	STAINLESS STEEL BANDING	AS REQ'D
3	POWER CONNECTION JUNCTION BOX	1
4	100 OHM PLATINUM PIPE-MOUNTED RTD. DREXAN PART NUMBER RTD-PM	AS REQ'D



VERTICAL VESSEL



**RTD INSTALLATION
DETAIL 'A' (SEE NOTE 2)**



HORIZONTAL VESSEL

NOTES

- SEE ZONE DRAWING FOR AREA OF VESSEL TO BE TRACED.
- ATTACH RTD SENSOR TO VESSEL WITH CLAMP, STUD AND NUT.
- MOUNT RTD BETWEEN HEATING CABLES AS FAR FROM TRACER CABLE AS POSSIBLE NEAR BOTTOM OF VESSEL.
- DIMENSIONS SHOWN ARE IN MILLIMETERS AND INCHES FOR RTD BRACKET. FOR EXAMPLE 3 (1/8") MEANS 3mm, 1/8".
- WHERE MULTIPLE RUNS OR LOOPS OF A CONSTANT WATTAGE HEATER CABLE (SERIES MI AND PIPEGUARD CMH) ARE APPLIED TO PIPE SHOES AND SUPPORTS, CARE MUST BE TAKEN TO ENSURE THAT EXCESSIVE HEAT IS NOT GENERATED. DEPENDING IN PART UPON THE PIPE DIAMETER, IT MAY NOT BE NECESSARY TO INSTALL MULTIPLE RUNS OF CABLE AT A PIPE SHOE. CABLE WATTAGE OUTPUT MUST BE CONSIDERED. PLEASE REFER TO NOTE #1 ON INSTALLATION DRAWING 22.

1	05/15/15	LOGO CHANGED	DRAWN	EBC	TITLE	
1	05/15/15	NOTE #5 ADDED	DATE	2011/03/19	INSTALL - VESSELS CMH or MI	
			CHECKED	-		
			DATE	-		
			ENGINEER	-		
			DATE	-		
			APPROVED	-	SCALE	DRAWING NO
REV	DATE	REVISION	DATE	-	NTS	DWG011
						REV
						1

