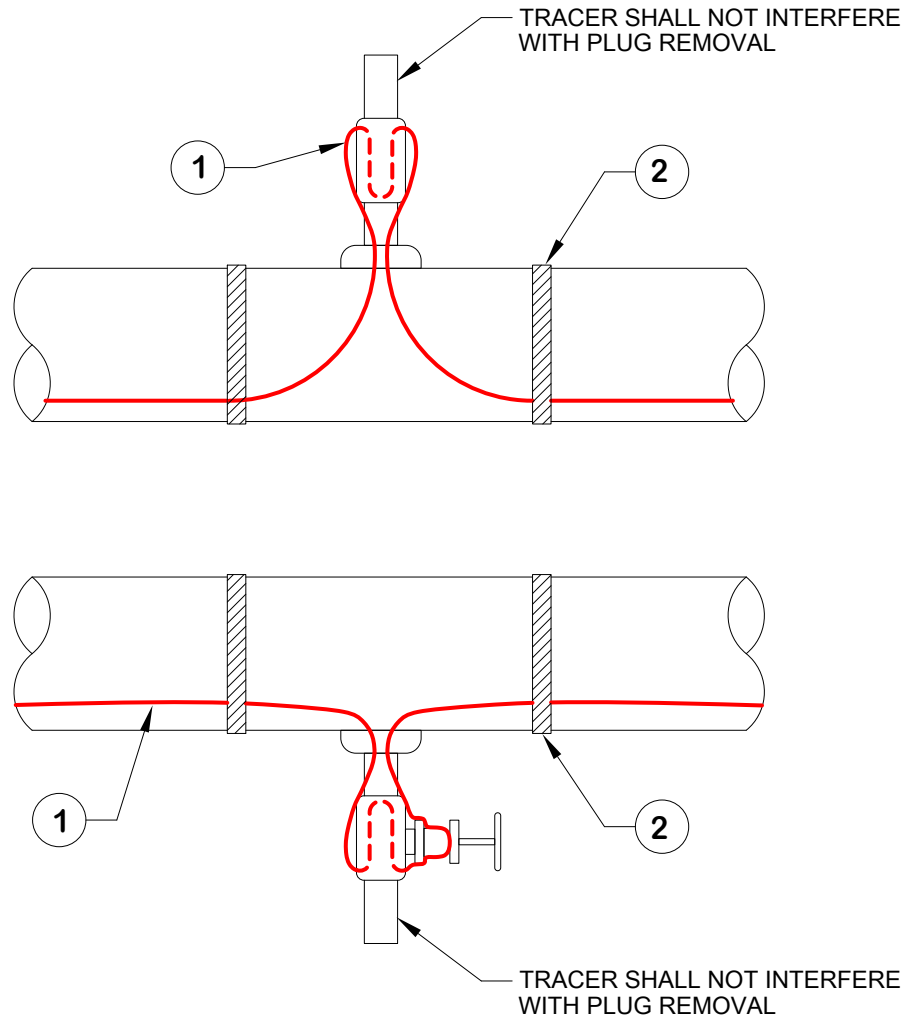


ITEM	DESCRIPTION	QUANTITY
1	EHT CABLE AS PER ZONE DRAWING	AS REQ'D
2	FIBERGLASS TAPE FOR SELF REGULATING CABLE AND STAINLESS STEEL TIE WIRE FOR PipeGuard CMH OR MI CABLE	AS REQ'D



NOTES

- FOR VENTS OR DRAINS 50mm (2") AND LARGER, APPLY THE CABLE ALLOWANCE TO THE VALVE AS PER DRAWING 07.
- THE CABLE ALLOWANCE FOR EACH VENT OR DRAIN THAT IS LESS THAN 500mm (20") IN LENGTH IS 1000mm (40"). EACH VENT OR DRAIN THAT IS LONGER THAN 500mm MUST BE TREATED AS A SEPARATE ZONE.
- IN CASES WHERE THERE IS MORE THAN 1 HEATER CABLE THE ALLOWANCE ONLY APPLIES TO 1 HEATER CABLE.
- IN CASES WHERE THERE IS MORE THAN 1 HEATER CABLE AND MORE THAN 1 VENT OR DRAIN THE ALLOWANCES SHALL BE DIVIDED BETWEEN THE HEATER CABLES.

1	05/15/15	LOGO CHANGED	DRAWN EBC	TITLE		
			DATE 2011/03/19	INSTALL - PIPE VENTS - DRAINS		
			CHECKED -			
			DATE -			
			ENGINEER -			
			DATE -	SCALE	DRAWING NO	REV
REV	DATE	REVISION	APPROVED -	NTS	DWG009	1
			DATE -			

