

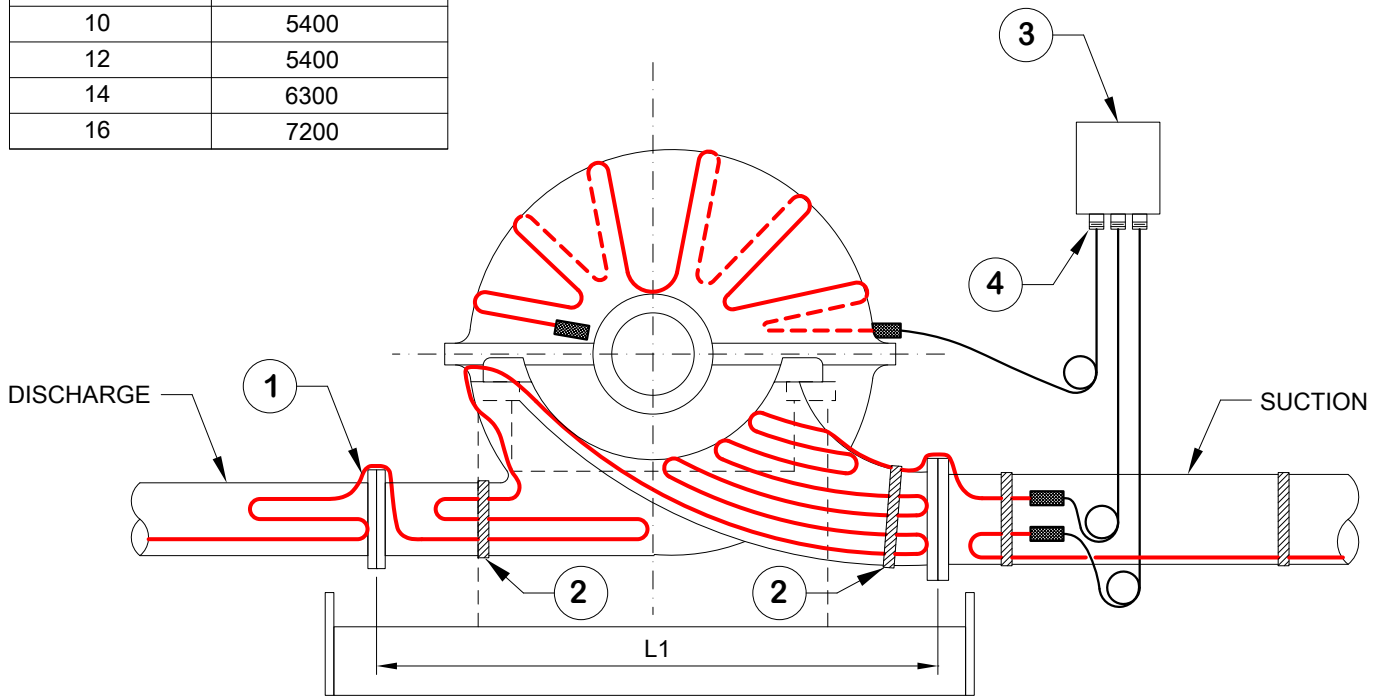
ITEM	DESCRIPTION	QUANTITY
1	EHT CABLE AS PER ZONE DRAWING	AS REQ'D
2	STAINLESS STEEL TIE WIRE FOR PipeGuard CMH OR MI CABLE	AS REQ'D
3	JUNCTION BOX. MAY NOT BE REQUIRED FOR PipeGuard CMH	1
4	13mm (1/2") MYERS HUB FOR MI CABLE. DREXAN PART NUMBER DREX0074 FOR PipeGuard CMH.	AS REQ'D

ADDED CHART FOR PUMPS

PUMP SUCTION SIZE (IN)	CABLE ALLOWANCE (mm)
1	1800
2	3600
3	4200
4	4500
6	5100
8	5100
10	5400
12	5400
14	6300
16	7200

EXAMPLE 1

CABLE LENGTH = L1 + CABLE ALLOWANCE



NOTES

1. HEATER CABLE INSTALLATION WILL VARY FOR DIFFERENT PUMP SHAPES AND HEATER CABLE LENGTHS.
2. CABLE ALLOWANCES ARE IN ADDITION TO THE CENTER LINE LENGTH OF THE PUMP. (SEE EXAMPLE 1)
3. USE APPROXIMATELY 1/3 OF THE CABLE ALLOWANCE FOR THE TOP CASE OF THE PUMP.
4. MOUNT SPLICE JB IN AN ACCESSIBLE LOCATION.

1	04/16/14	STRAIN RELIEF PART REFERENCE CHANGED	DRAWN	EBC	TITLE	
2	05/15/15	LOGO CHANGED	DATE	2011/03/19	INSTALL - SPLIT-CASE PUMPS	
			CHECKED	-		
			DATE	-		
			ENGINEER	-		
			DATE	-		
REV	DATE	REVISION	APPROVED	-	SCALE	DRAWING NO
			DATE	-	NTS	DWG008
						REV
						2

