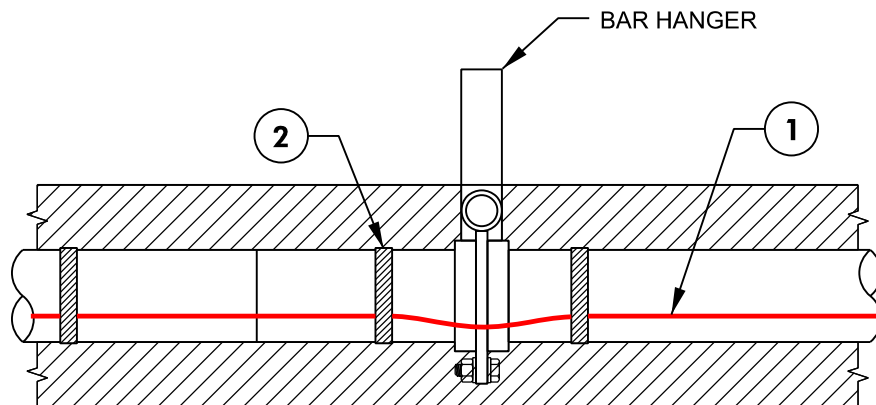
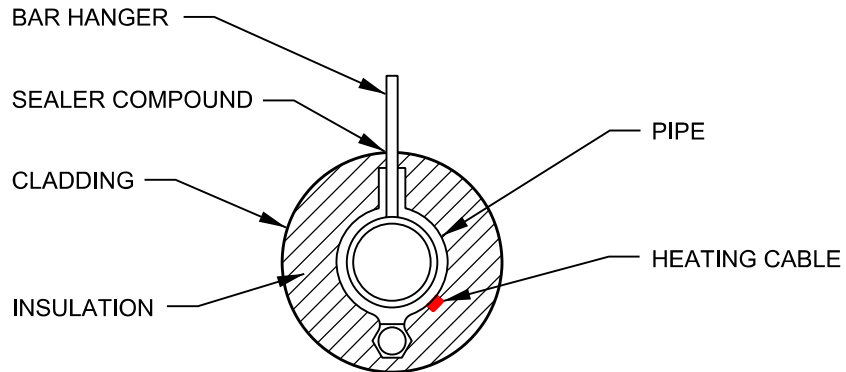


ITEM	DESCRIPTION	QUANTITY
1	EHT CABLE AS PER ZONE DRAWING	AS REQ'D
2	FIBERGLASS TAPE FOR SELF REGULATING CABLE AND STAINLESS STEEL TIE WIRE FOR PipeGuard CMH OR MI CABLE	AS REQ'D



1	05/15/15	LOGO CHANGED
REV	DATE	REVISION



DRAWN EBC
DATE 2011/03/19
CHECKED
DATE -
ENGINEER
DATE -
APPROVED
DATE -

TITLE		
INSTALL - PIPE HANGERS		
SCALE	DRAWING NO	REV
NTS	DWG006	1