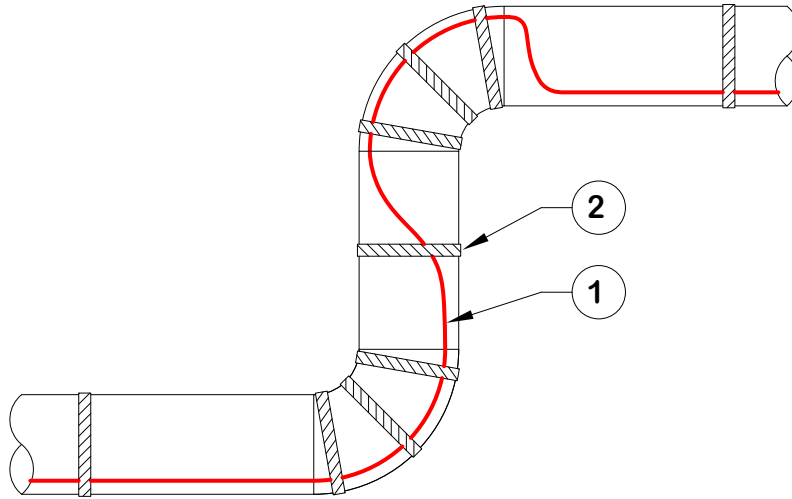
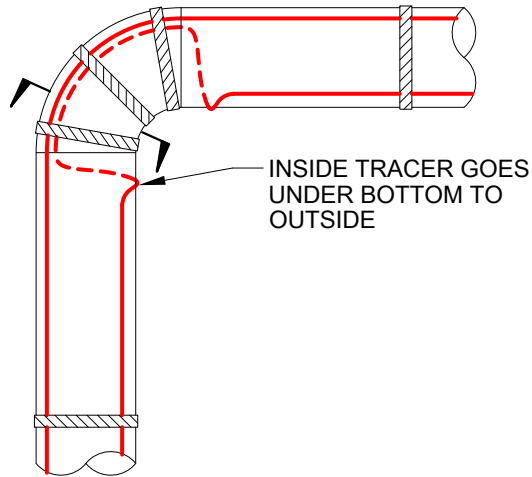


ITEM	DESCRIPTION	QUANTITY
1	EHT CABLE AS PER ZONE DRAWING	AS REQ'D
2	FIBERGLASS TAPE FOR SELF REGULATING CABLE AND STAINLESS STEEL TIE WIRE FOR PipeGuard CMH OR MI CABLE	AS REQ'D



VERTICAL ELBOW ELEVATION



HORIZONTAL ELBOW PLAN VIEW

NOTES

- DO NOT APPLY EHT TO OUTSIDE RADIUS ON CENTRE LINE OF ELBOWS.

1	05/15/15	LOGO CHANGED	DRAWN EBC	TITLE		
			DATE 2011/03/19			
			CHECKED -	INSTALL - ELBOWS		
			DATE -			
			ENGINEER -			
			DATE -			
REV	DATE	REVISION	APPROVED -	SCALE	DRAWING NO	REV
			DATE -	NTS	DWG004	1

